



**Electrolux**  
PROFESSIONAL

**Spin Dryers**  
**Vegetable Dryer, 20gal with**  
**basket, stainless steel**

ITEM # \_\_\_\_\_  
 MODEL # \_\_\_\_\_  
 NAME # \_\_\_\_\_  
 SIS # \_\_\_\_\_  
 AIA # \_\_\_\_\_



Spin Dryers  
Vegetable Dryer, 20gal with basket, stainless steel



600096 (VP2220)

VP2 S/S SALAD DRYER -  
20GAL - 220V

**Short Form Specification**

**Item No.** \_\_\_\_\_

VP2-Greens Machine Vegetable Dryer, floor model, 20 gallon capacity approximately 16 heads of lettuce, adjustable built-in timer, ON & OFF buttons at ergonomic height, built-in reservoir, stainless steel outer shell, castors with braking device.

Available in 220V versions.

Comes with 2 years parts and 1 year labor factory warranty.

**Main Features**

- Easy lock casters.
- ETL electrical and sanitation listed.
- 2 year parts warranty, 1 year labor.
- Ergonomically fits under working kitchen counters for storage after use.
- Built in reservoir, water can be easily collected. No need for floor drain (optional).
- Dries up to 16 heads of lettuce in under 5 minutes. Other green leaves and cut vegetables can be dried as well.
- Delivered with plastic basket, equipped with handle grips for easy loading/unloading.
- Built-in 5 minute timer protected by hinged cover.
- ON/OFF water proof buttons at ergonomic height.
- Electrical braking system to stop basket rotation in a few seconds at the end of the cycle or when lid is opened.

**Construction**

- Stainless steel external drum (body).
- Removable plastic inner basket, 20Gal (75Lt) capacity.
- Hinged plastic lid with built-in safety device.
- Mounted on casters with brakes.
- Water reservoir (built-in) equipped with level indicator.
- Basket rotates at approximately 400 RPM.

**Included Accessories**

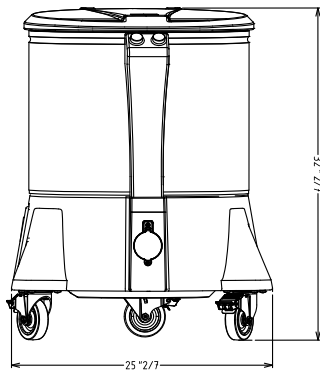
- 1 of Inner Basket with holes PNC 653788

**Optional Accessories**

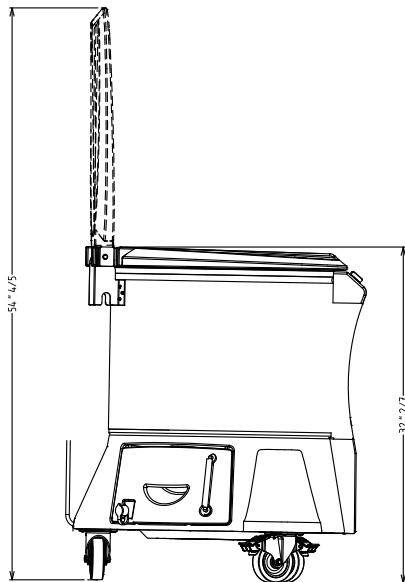
- Inner Basket with holes PNC 653788

APPROVAL: \_\_\_\_\_

Front

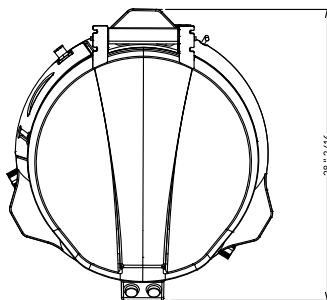


Side



EI = Electrical connection

Top



### Electric

#### Supply voltage:

600096 (VP2220) 220 V/1N ph/60 Hz

#### Electrical power, max:

0.2 kW

#### Plug type:

NEMA 6-15

### Key Information:

**External dimensions, Width:** 26 9/16" (675 mm)

**External dimensions, Depth:** 26 9/16" (675 mm)

**External dimensions, Height:** 32 1/64" (813 mm)

**Shipping width:** 29 1/2" (750 mm)

**Shipping depth:** 31 1/2" (800 mm)

**Shipping weight:** 121 lbs (55 kg)

**Shipping volume:** 19.07 ft<sup>3</sup> (0.54 m<sup>3</sup>)